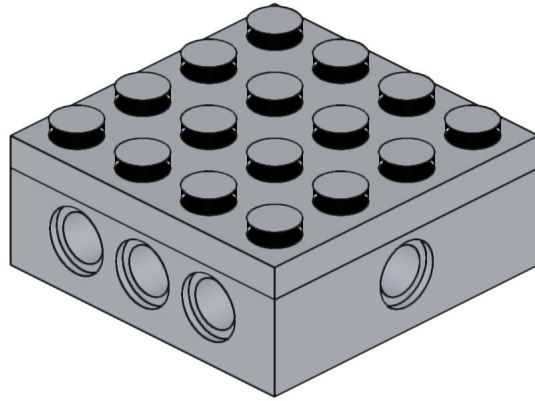
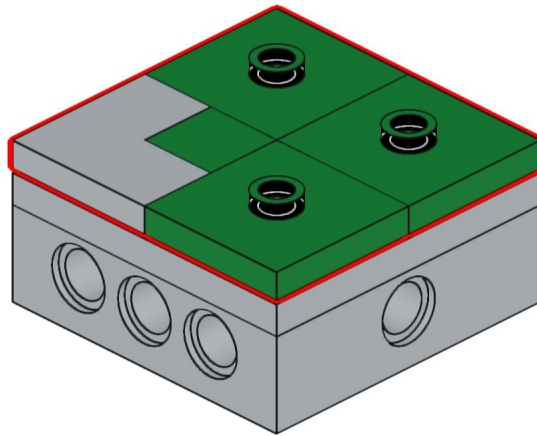
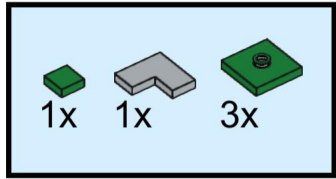


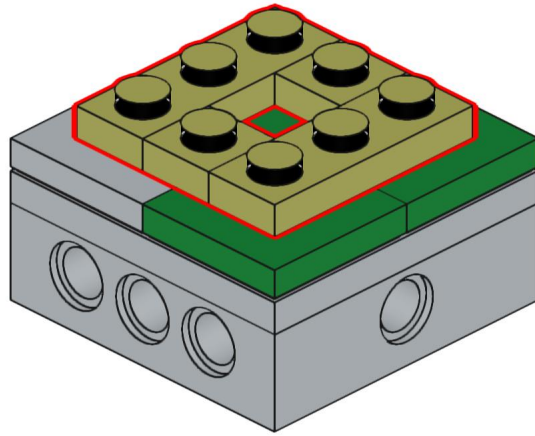
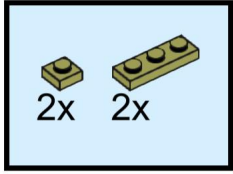
1



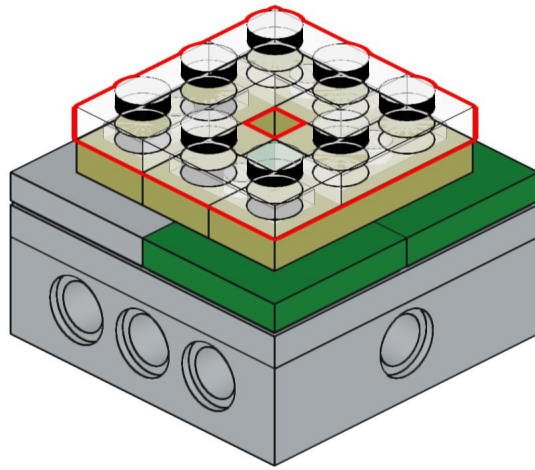
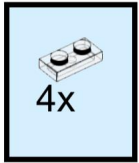
2



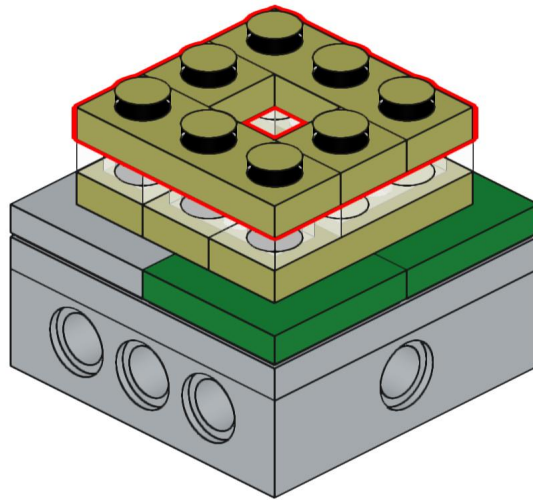
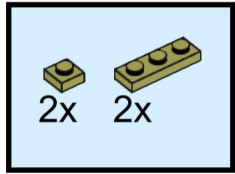
3



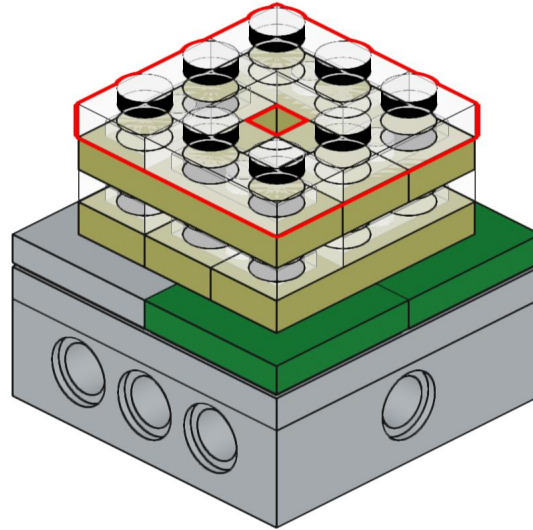
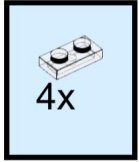
4



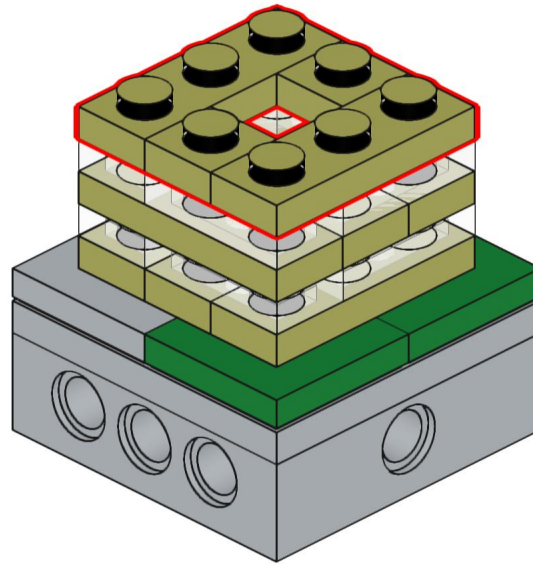
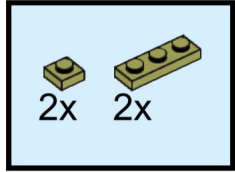
5



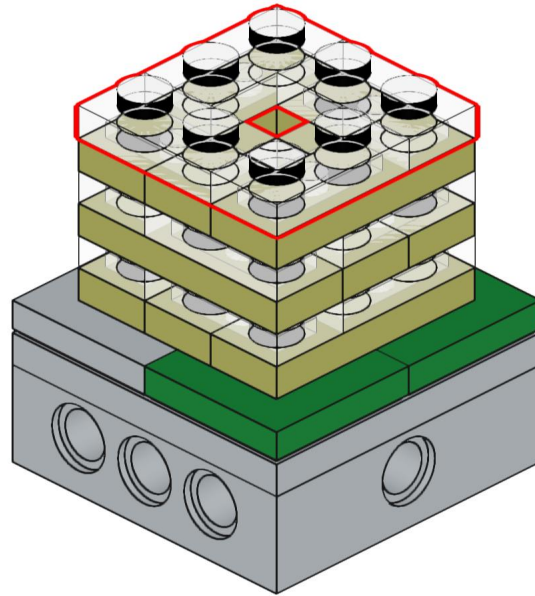
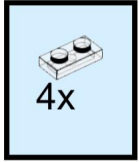
6



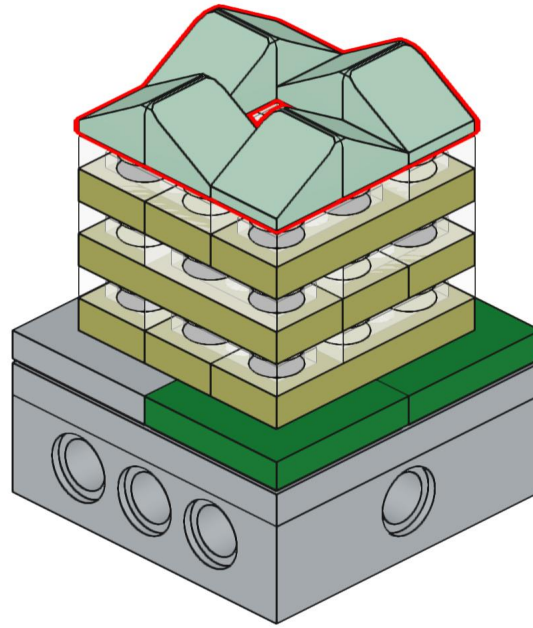
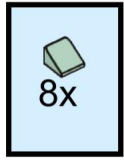
7



8



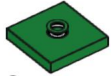
9





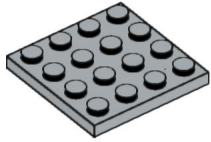
1x
14719

Light Bluish Gray



3x
87580

Green



1x
3031

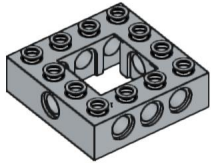
Light Bluish Gray



8x
54200
Sand Green



12x
3023
Trans-Clear

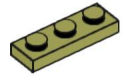


1x
32324

Light Bluish Gray



6x
3024
Olive Green



6x
3623
Olive Green



1x
3070
Green